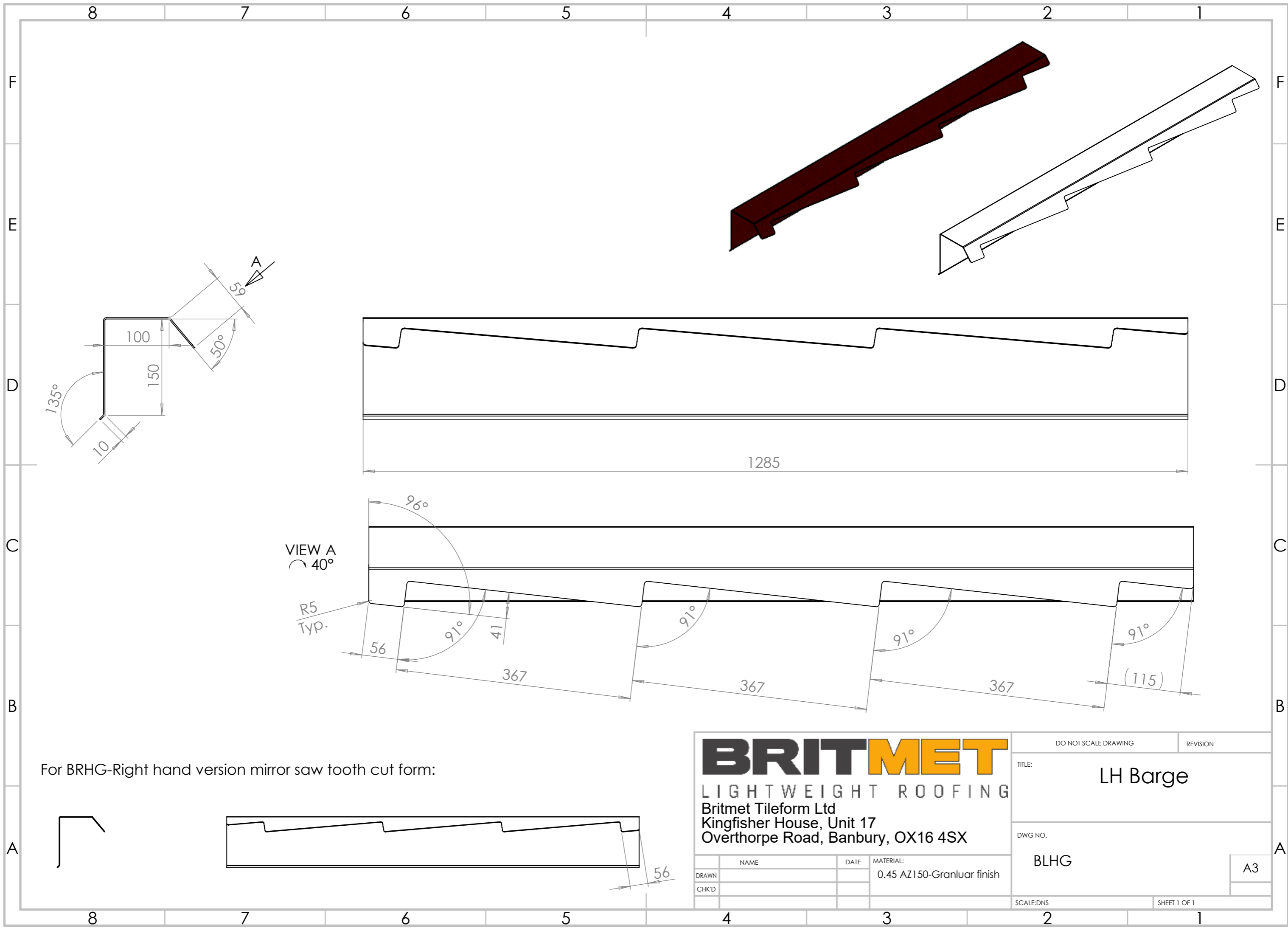


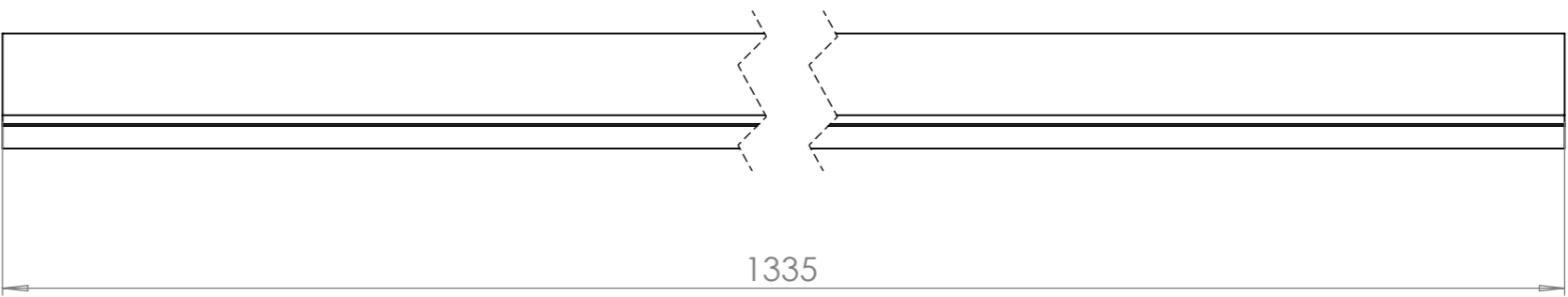
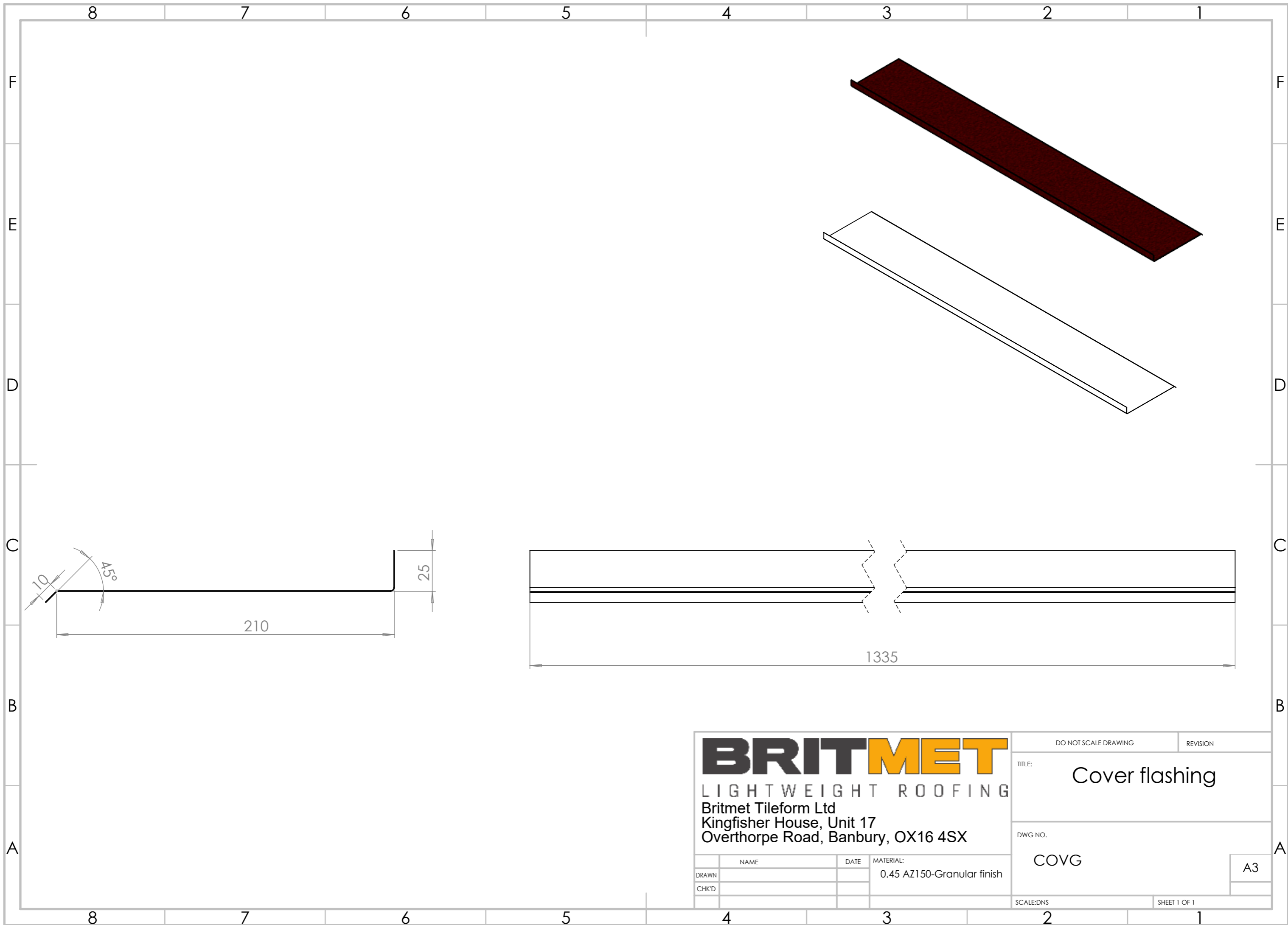
**BRITMET**  
 LIGHTWEIGHT ROOFING  
 Britmet Tileform Ltd  
 Kingfisher House, Unit 17  
 Overthorpe Road, Banbury, OX16 4SX

	NAME	DATE	MATERIAL:
DRAWN			0.45 AZ150 -Granular finish
CHK'D			

DO NOT SCALE DRAWING	REVISION
TITLE:	Apron
DWG NO.	APR
SCALE:DNS	SHEET 1 OF 1

A3



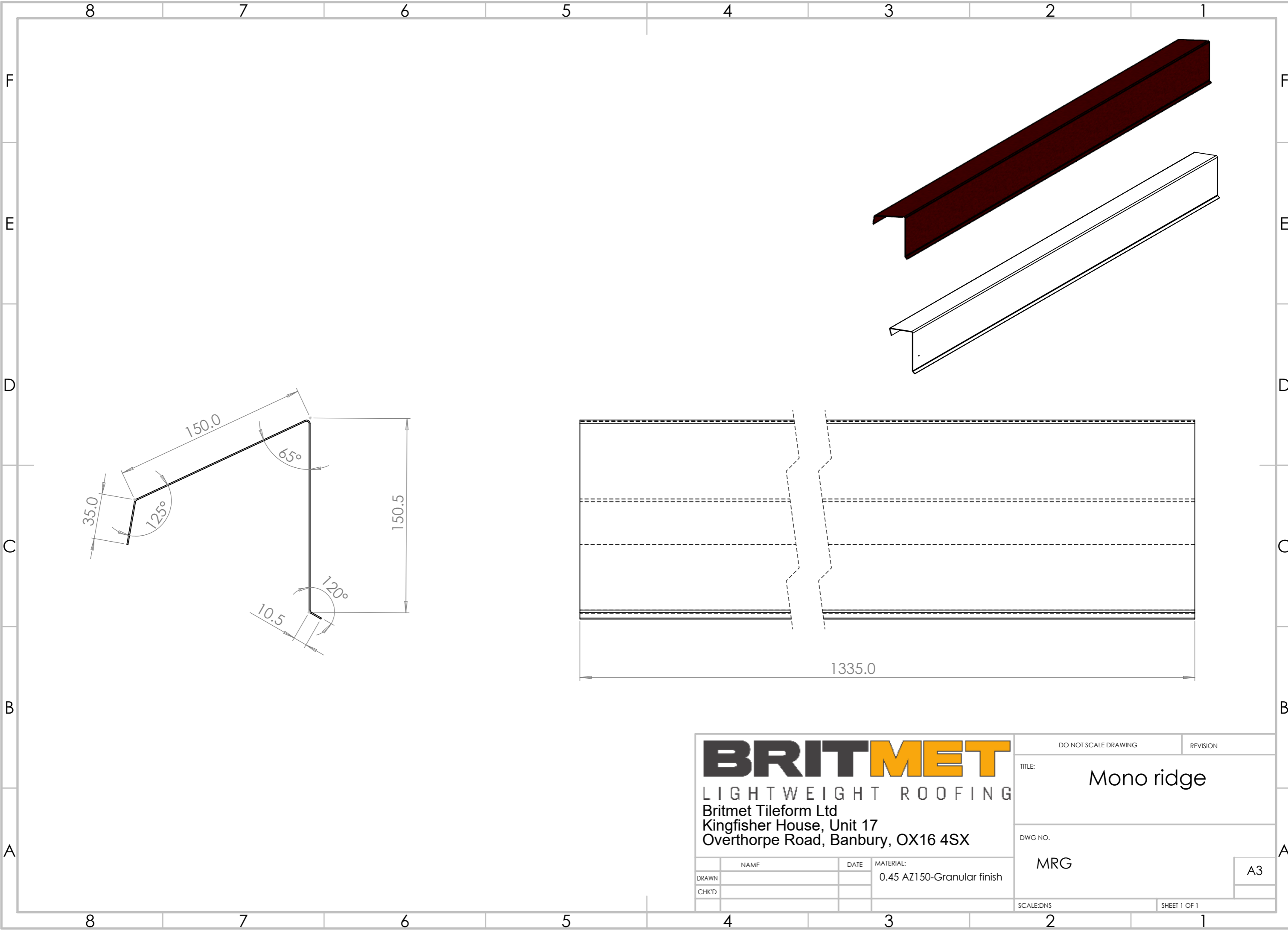


**BRITMET**  
 LIGHTWEIGHT ROOFING  
 Britmet Tileform Ltd  
 Kingfisher House, Unit 17  
 Overthorpe Road, Banbury, OX16 4SX

	NAME	DATE	MATERIAL:
DRAWN			0.45 AZ150-Granular finish
CHK'D			

DO NOT SCALE DRAWING	REVISION
TITLE:	COVER FLASHING
DWG NO.	COVG
SCALE:DNS	SHEET 1 OF 1

A3

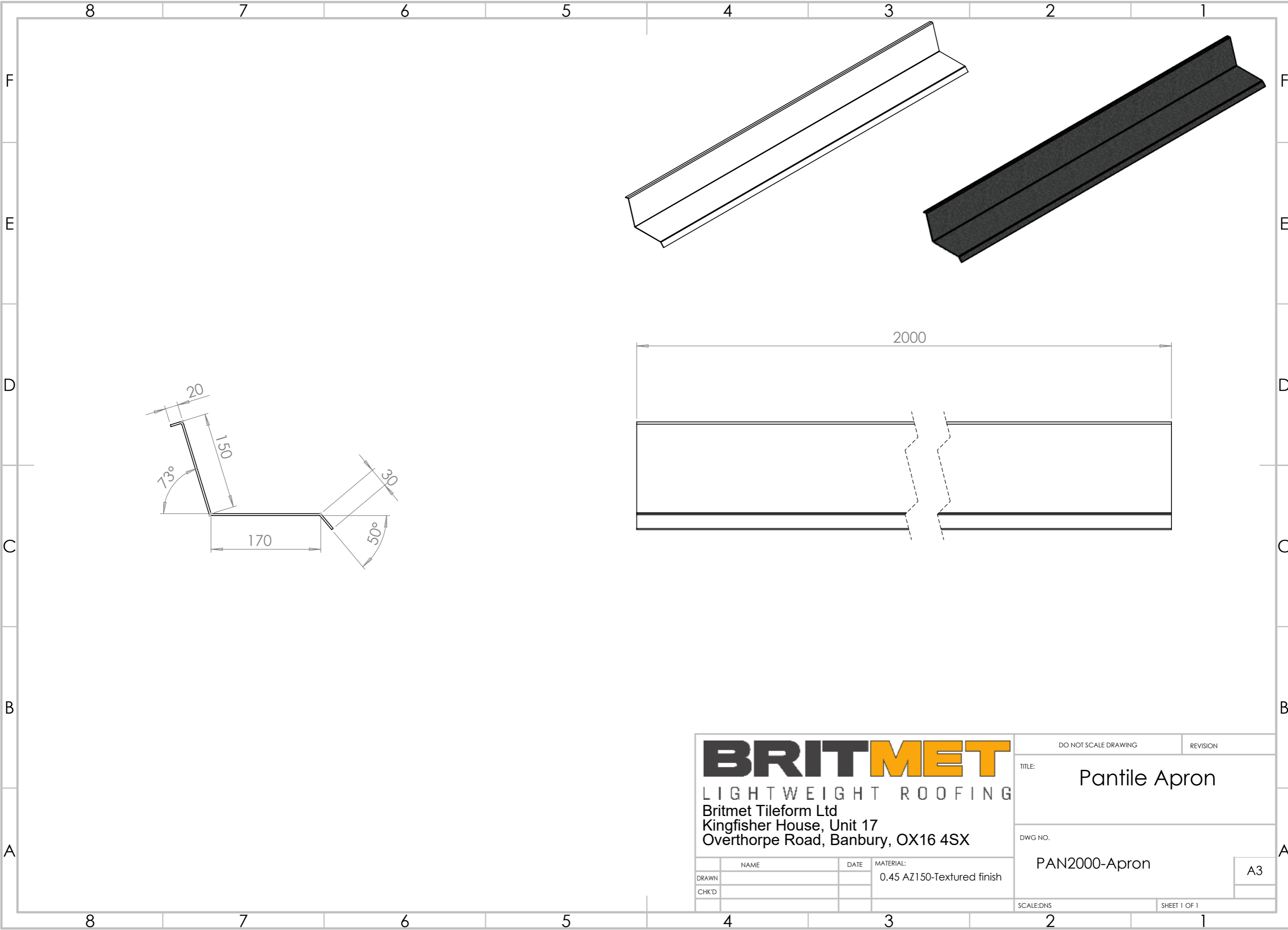


**BRITMET**  
 LIGHTWEIGHT ROOFING  
 Britmet Tileform Ltd  
 Kingfisher House, Unit 17  
 Overthorpe Road, Banbury, OX16 4SX

DO NOT SCALE DRAWING		REVISION
TITLE:		Mono ridge
DWG NO.		MRG
SCALE:DNS		SHEET 1 OF 1

	NAME	DATE	MATERIAL:
DRAWN			0.45 AZ150-Granular finish
CHK'D			

A3

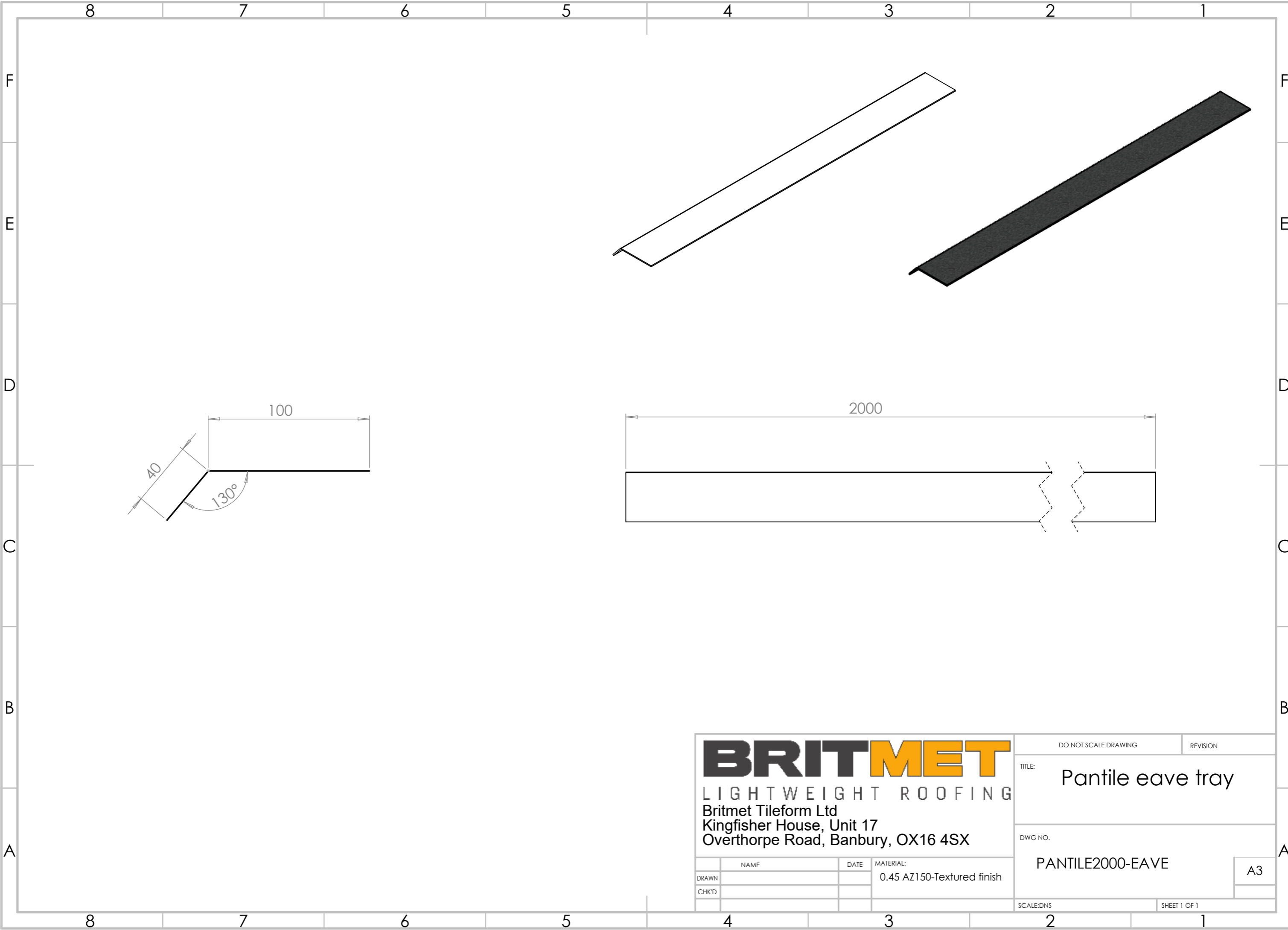


**BRITMET**  
 LIGHTWEIGHT ROOFING  
 Britmet Tileform Ltd  
 Kingfisher House, Unit 17  
 Overthorpe Road, Banbury, OX16 4SX

NAME	DATE	MATERIAL:
DRAWN		0.45 AZ150-Textured finish
CHK'D		

DO NOT SCALE DRAWING	REVISION
TITLE: Pantile Apron	
DWG NO. PAN2000-Apron	
SCALE:DNS	SHEET 1 OF 1

A3

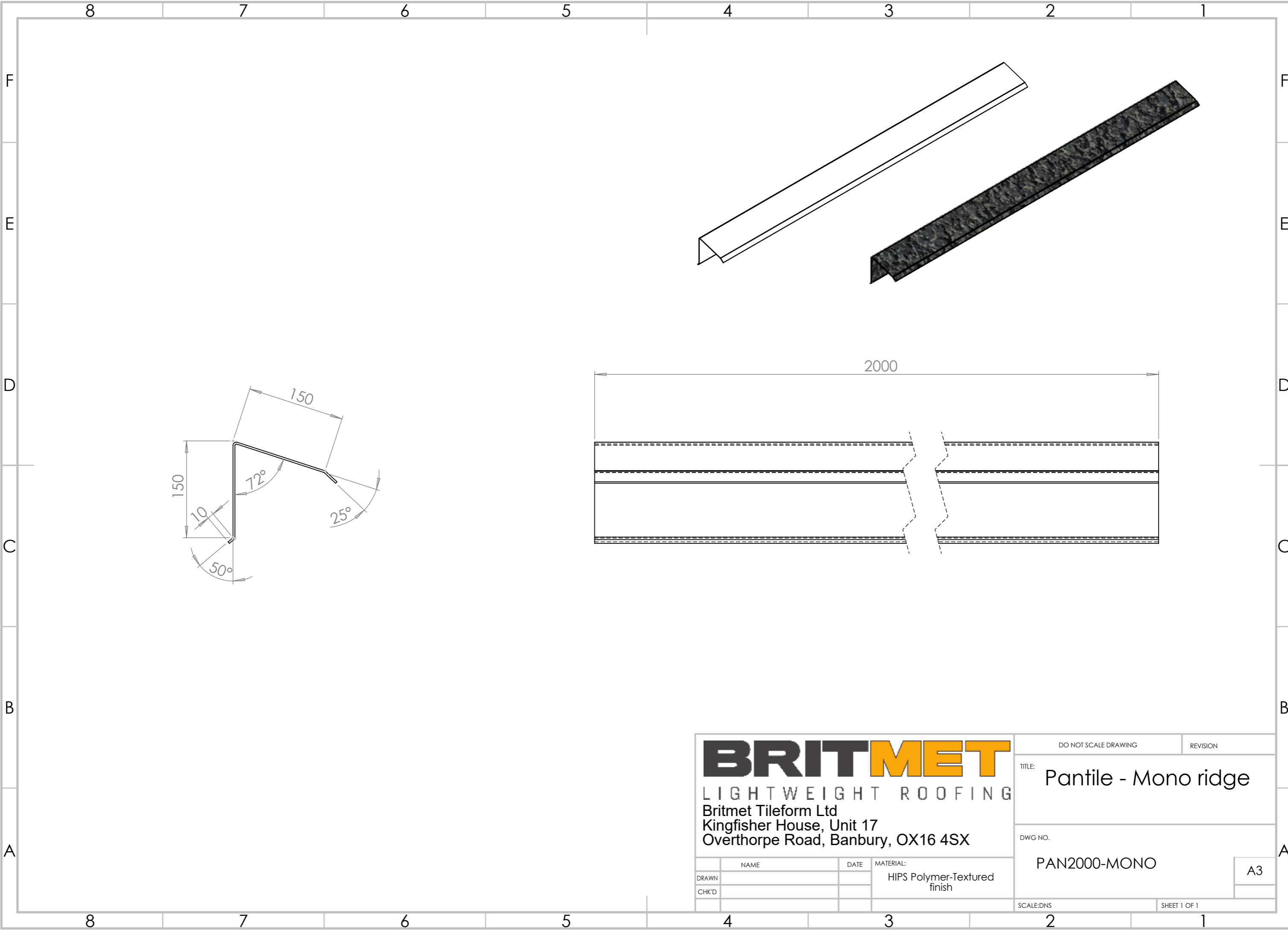


**BRITMET**  
 LIGHTWEIGHT ROOFING  
 Britmet Tileform Ltd  
 Kingfisher House, Unit 17  
 Overthorpe Road, Banbury, OX16 4SX

DO NOT SCALE DRAWING		REVISION
TITLE:		Pantile eave tray
DWG NO.:		PANTILE2000-EAVE
SCALE:DNS		SHEET 1 OF 1

NAME	DATE	MATERIAL:
DRAWN		0.45 AZ150-Textured finish
CHK'D		

A3

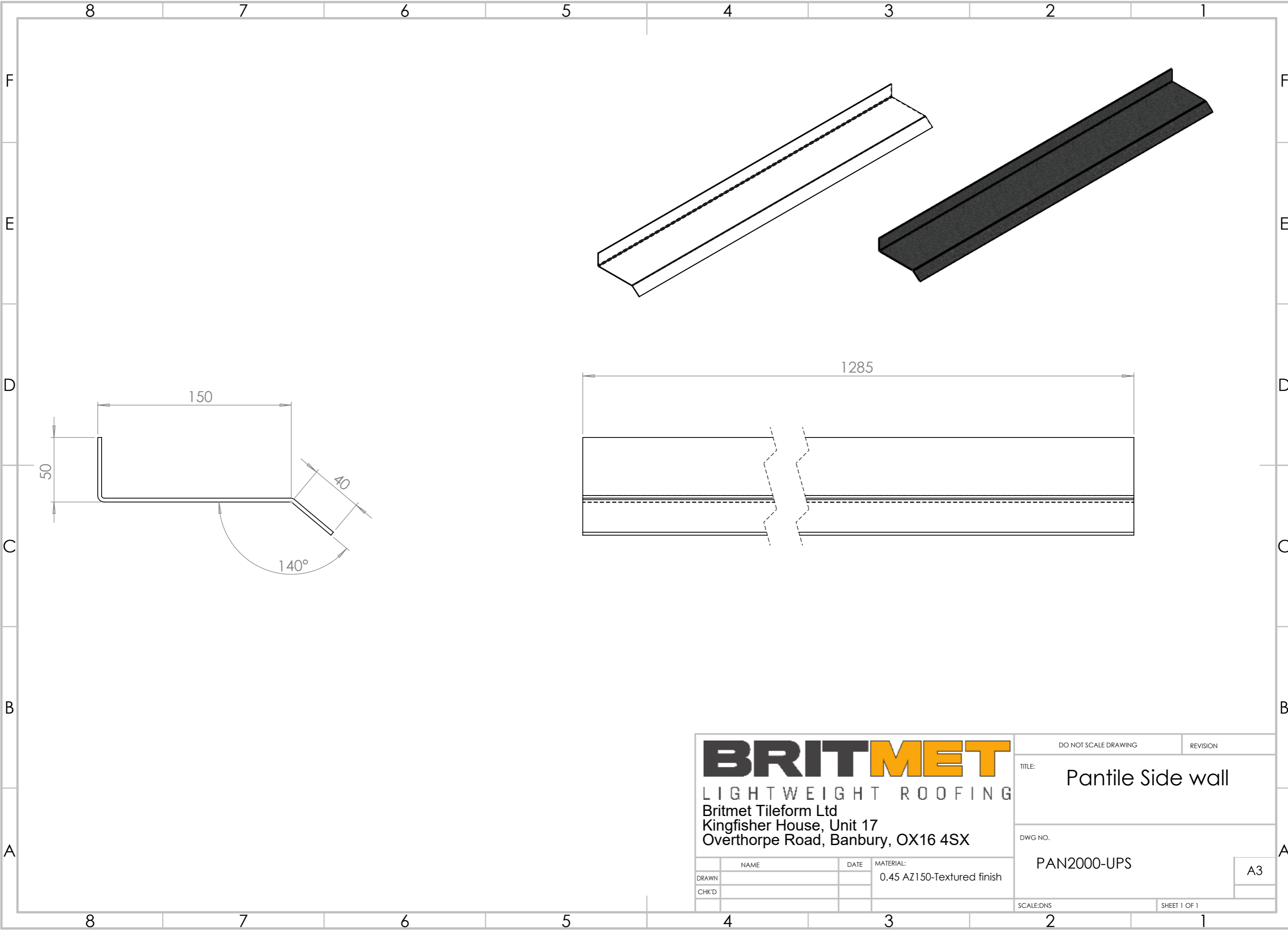


**BRITMET**  
 LIGHTWEIGHT ROOFING  
 Britmet Tileform Ltd  
 Kingfisher House, Unit 17  
 Overthorpe Road, Banbury, OX16 4SX

	NAME	DATE	MATERIAL:
DRAWN			HIPS Polymer-Textured finish
CHK'D			

DO NOT SCALE DRAWING	REVISION
TITLE: Pantile - Mono ridge	
DWG NO. PAN2000-MONO	
SCALE:DNS	SHEET 1 OF 1

A3

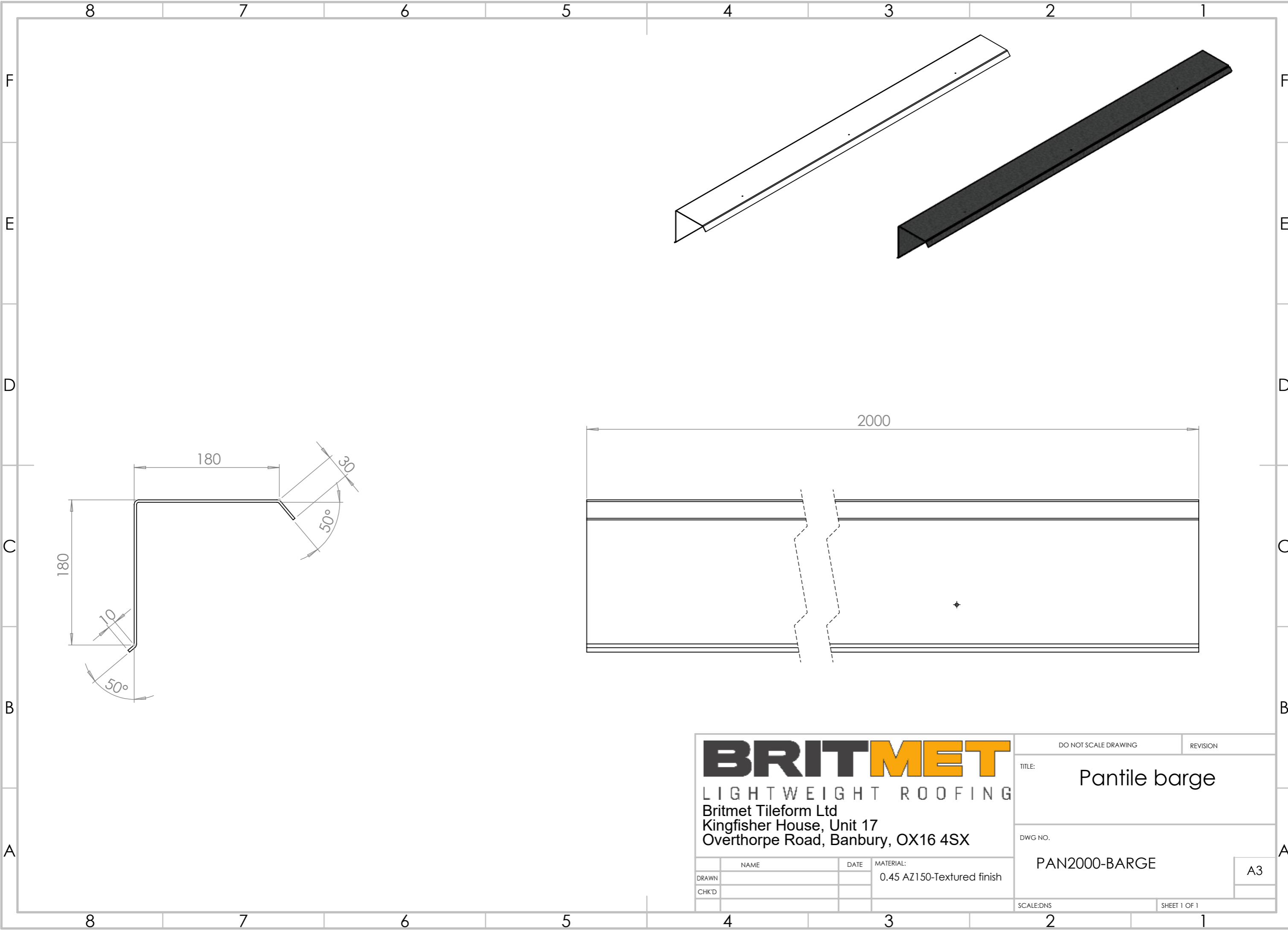


**BRITMET**  
 LIGHTWEIGHT ROOFING  
 Britmet Tileform Ltd  
 Kingfisher House, Unit 17  
 Overthorpe Road, Banbury, OX16 4SX

NAME	DATE	MATERIAL:
DRAWN		0.45 AZ150-Textured finish
CHK'D		

DO NOT SCALE DRAWING	REVISION
TITLE: Pantile Side wall	
DWG NO. PAN2000-UPS	
SCALE:DNS	SHEET 1 OF 1

A3

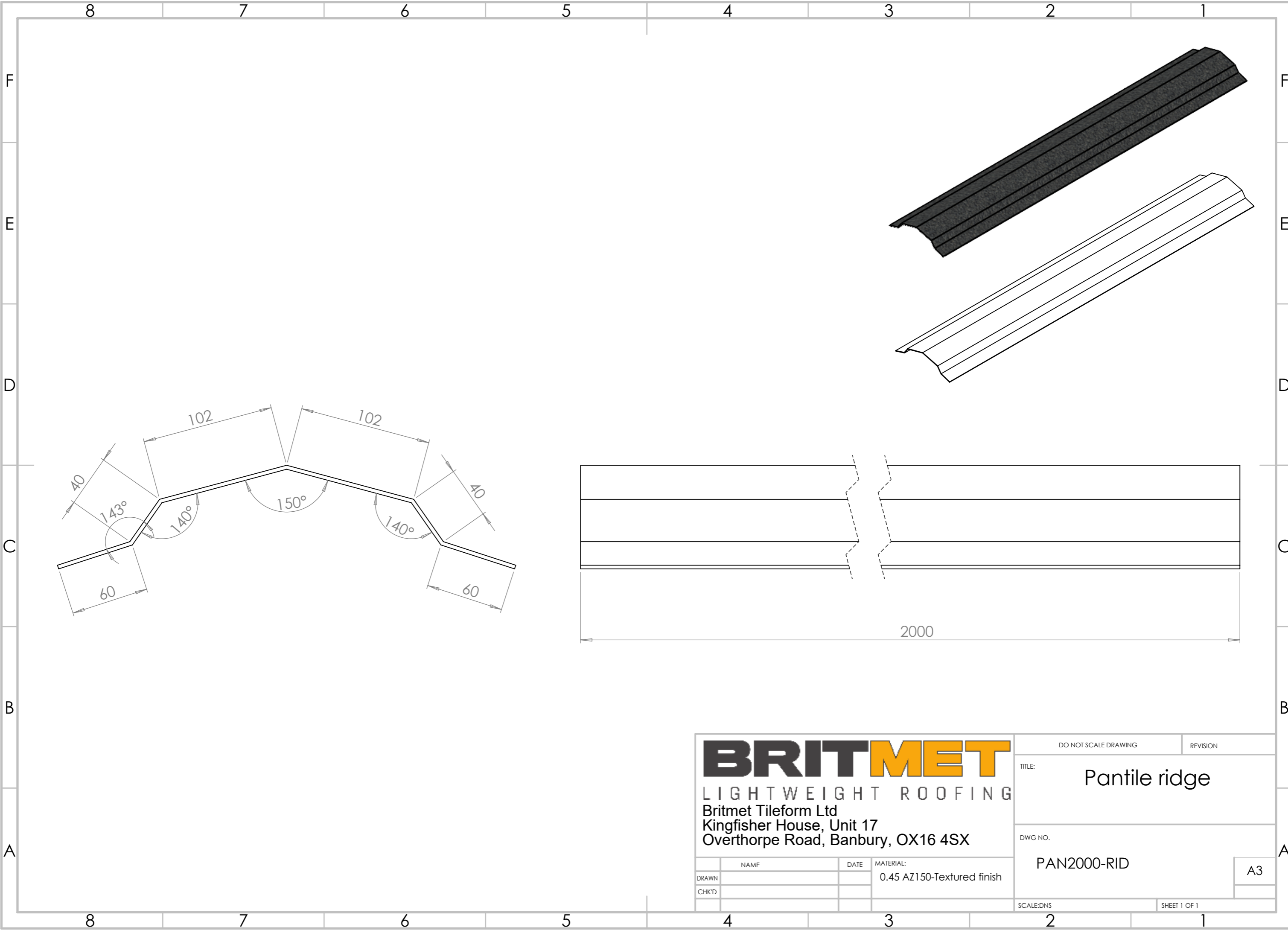


**BRITMET**  
 LIGHTWEIGHT ROOFING  
 Britmet Tileform Ltd  
 Kingfisher House, Unit 17  
 Overthorpe Road, Banbury, OX16 4SX

DO NOT SCALE DRAWING		REVISION
TITLE:		Pantile barge
DWG NO.		PAN2000-BARGE
SCALE:DNS		SHEET 1 OF 1

	NAME	DATE	MATERIAL:
DRAWN			0.45 AZ150-Textured finish
CHK'D			

A3

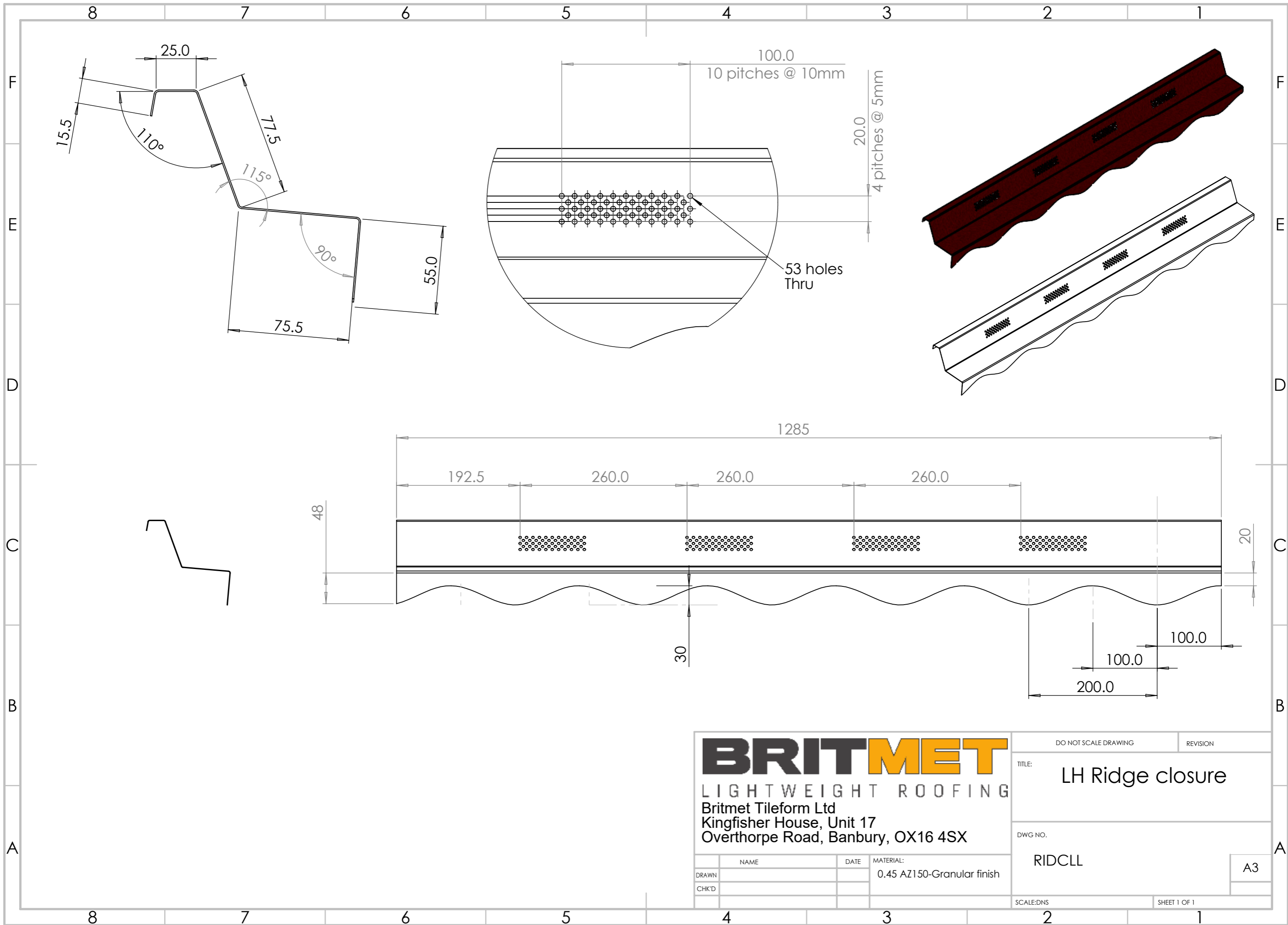


**BRITMET**  
 LIGHTWEIGHT ROOFING  
 Britmet Tileform Ltd  
 Kingfisher House, Unit 17  
 Overthorpe Road, Banbury, OX16 4SX

DO NOT SCALE DRAWING		REVISION
TITLE:		Pantile ridge
DWG NO.:		PAN2000-RID
SCALE:DNS		SHEET 1 OF 1

NAME	DATE	MATERIAL:
DRAWN		0.45 AZ150-Textured finish
CHK'D		

A3



**BRITMET**

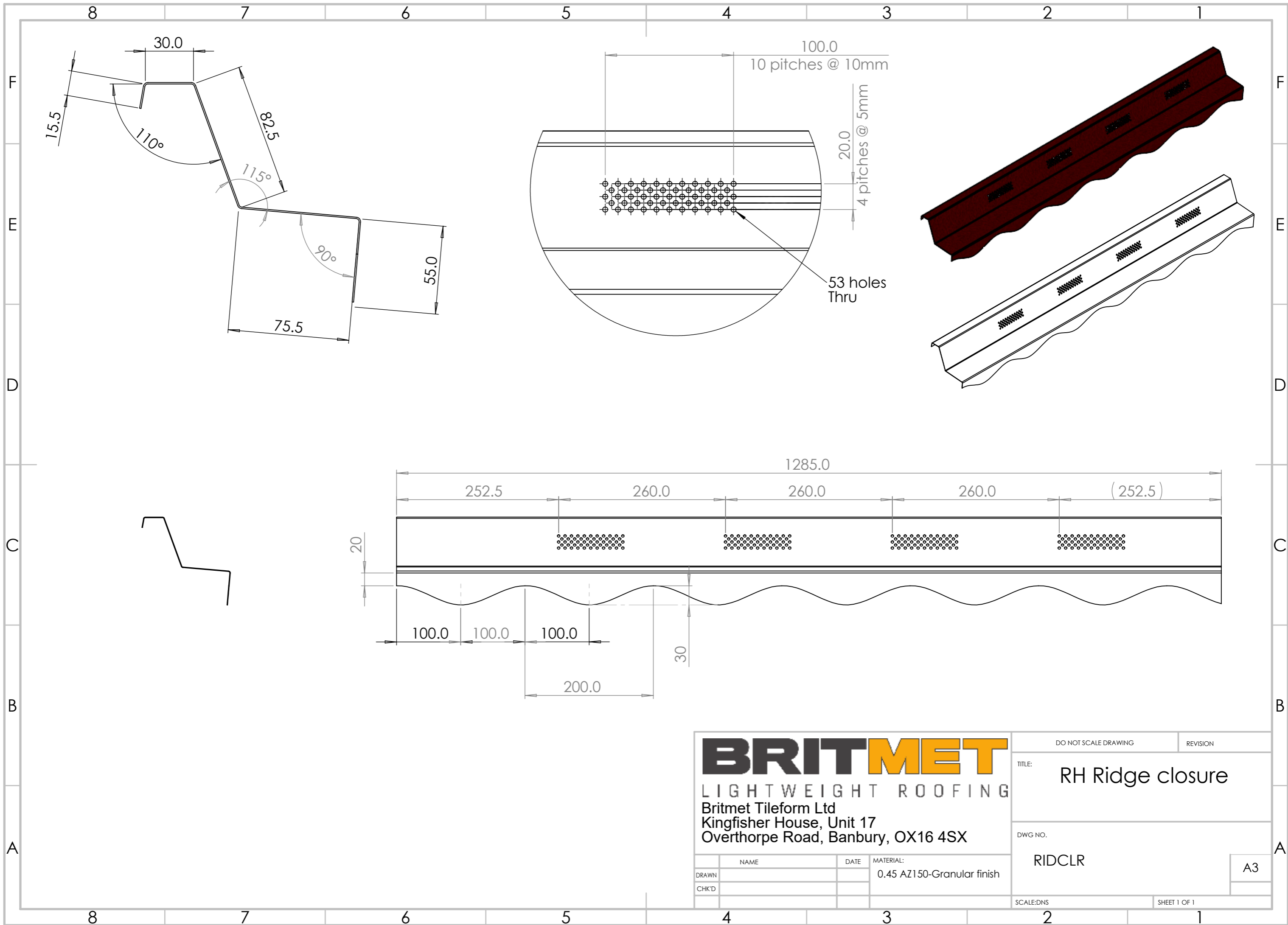
LIGHTWEIGHT ROOFING

Britmet Tileform Ltd  
Kingfisher House, Unit 17  
Overthorpe Road, Banbury, OX16 4SX

	NAME	DATE	MATERIAL:
DRAWN			0.45 AZ150-Granular finish
CHK'D			

DO NOT SCALE DRAWING	REVISION
TITLE: <b>LH Ridge closure</b>	
DWG NO. <b>RIDCCL</b>	
SCALE:DNS	SHEET 1 OF 1

A3



**BRITMET**

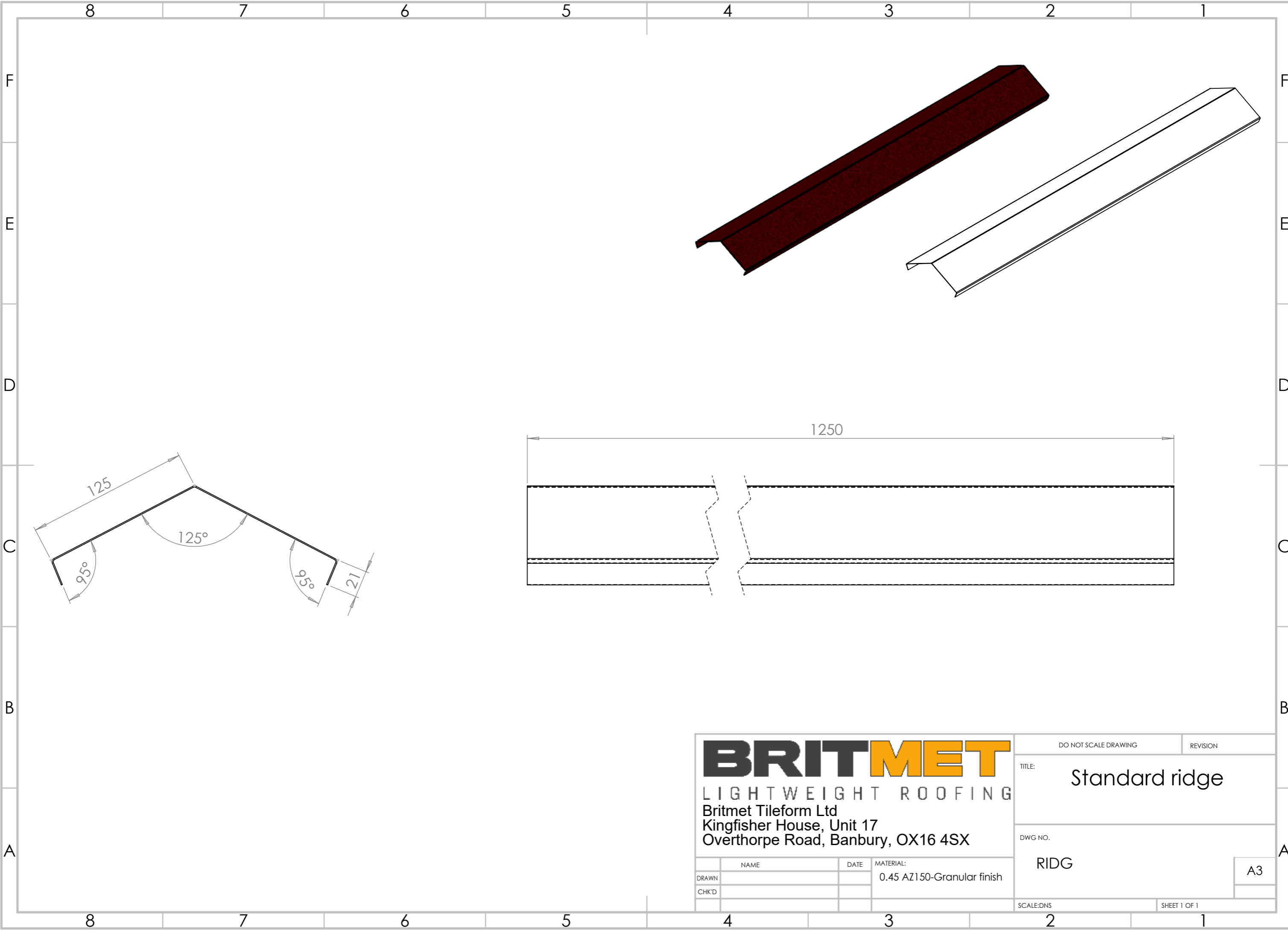
LIGHTWEIGHT ROOFING

Britmet Tileform Ltd  
 Kingfisher House, Unit 17  
 Overthorpe Road, Banbury, OX16 4SX

	NAME	DATE	MATERIAL:
DRAWN			0.45 AZ150-Granular finish
CHK'D			

DO NOT SCALE DRAWING	REVISION
TITLE: RH Ridge closure	
DWG NO. RIDCLR	
SCALE:DNS	SHEET 1 OF 1

A3

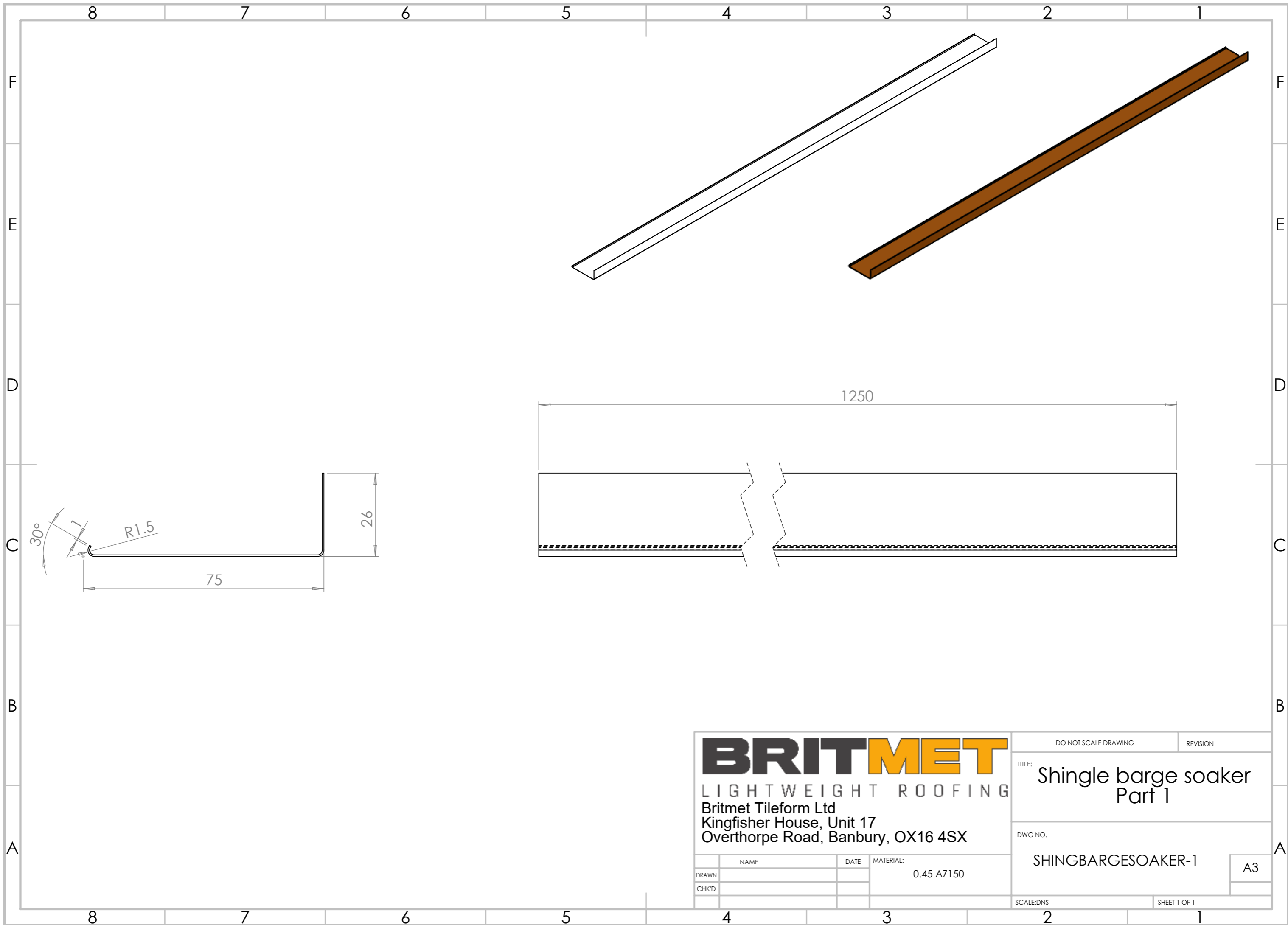


**BRITMET**  
 LIGHTWEIGHT ROOFING  
 Britmet Tileform Ltd  
 Kingfisher House, Unit 17  
 Overthorpe Road, Banbury, OX16 4SX

	NAME	DATE	MATERIAL:
DRAWN			0.45 AZ150-Granular finish
CHK'D			

DO NOT SCALE DRAWING	REVISION
TITLE:	Standard ridge
DWG NO.	RIDG
SCALE:DNS	SHEET 1 OF 1

A3



30°  
1  
R1.5

75

26

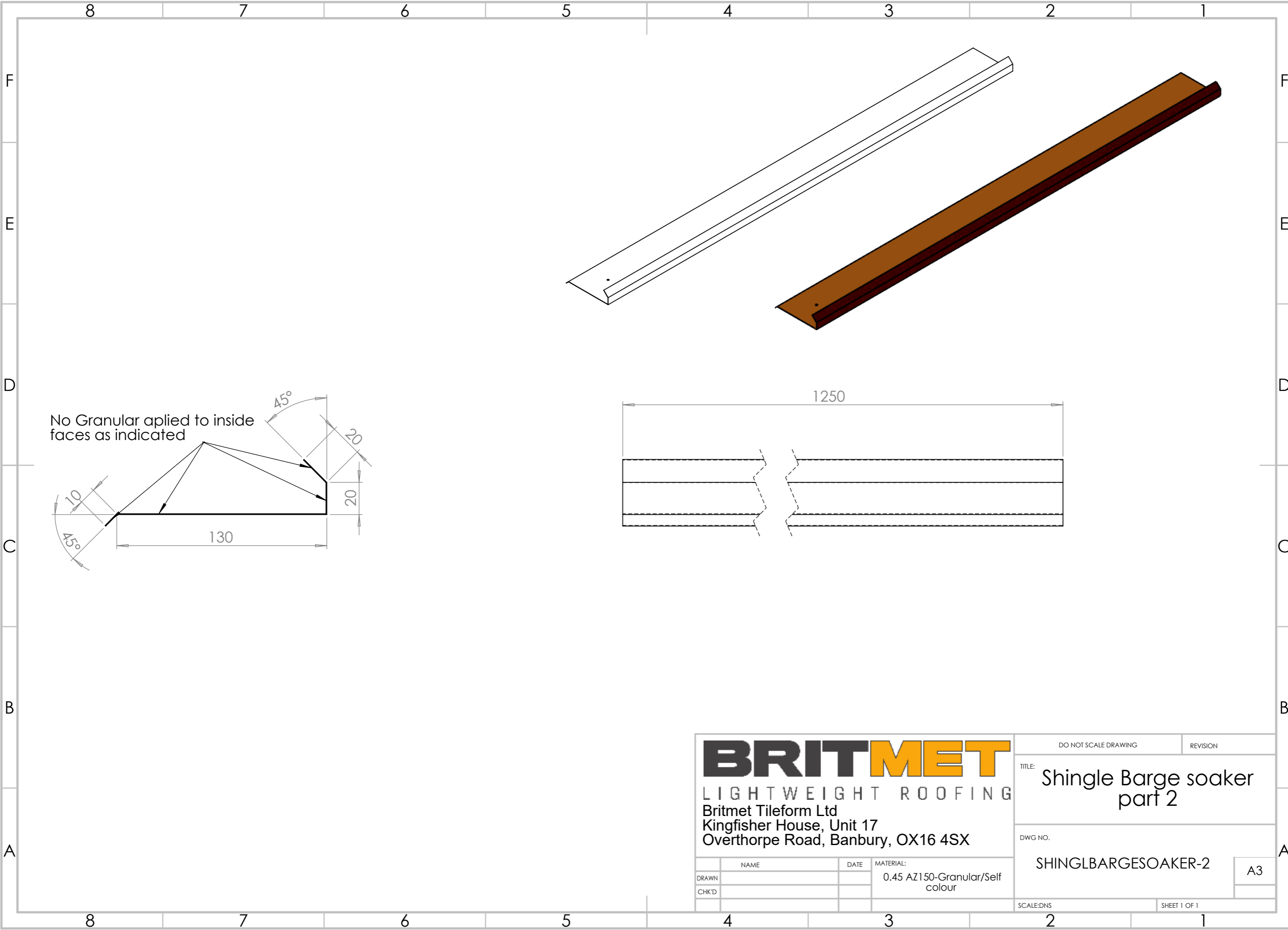
1250

**BRITMET**  
LIGHTWEIGHT ROOFING  
Britmet Tileform Ltd  
Kingfisher House, Unit 17  
Overthorpe Road, Banbury, OX16 4SX

	NAME	DATE	MATERIAL:
DRAWN			0.45 AZ150
CHK'D			

DO NOT SCALE DRAWING	REVISION
TITLE: Shingle barge soaker Part 1	
DWG NO. SHINGBARGESOAKER-1	
SCALE:DNS	SHEET 1 OF 1

A3



**BRITMET**

LIGHTWEIGHT ROOFING

Britmet Tileform Ltd  
Kingfisher House, Unit 17  
Overthorpe Road, Banbury, OX16 4SX

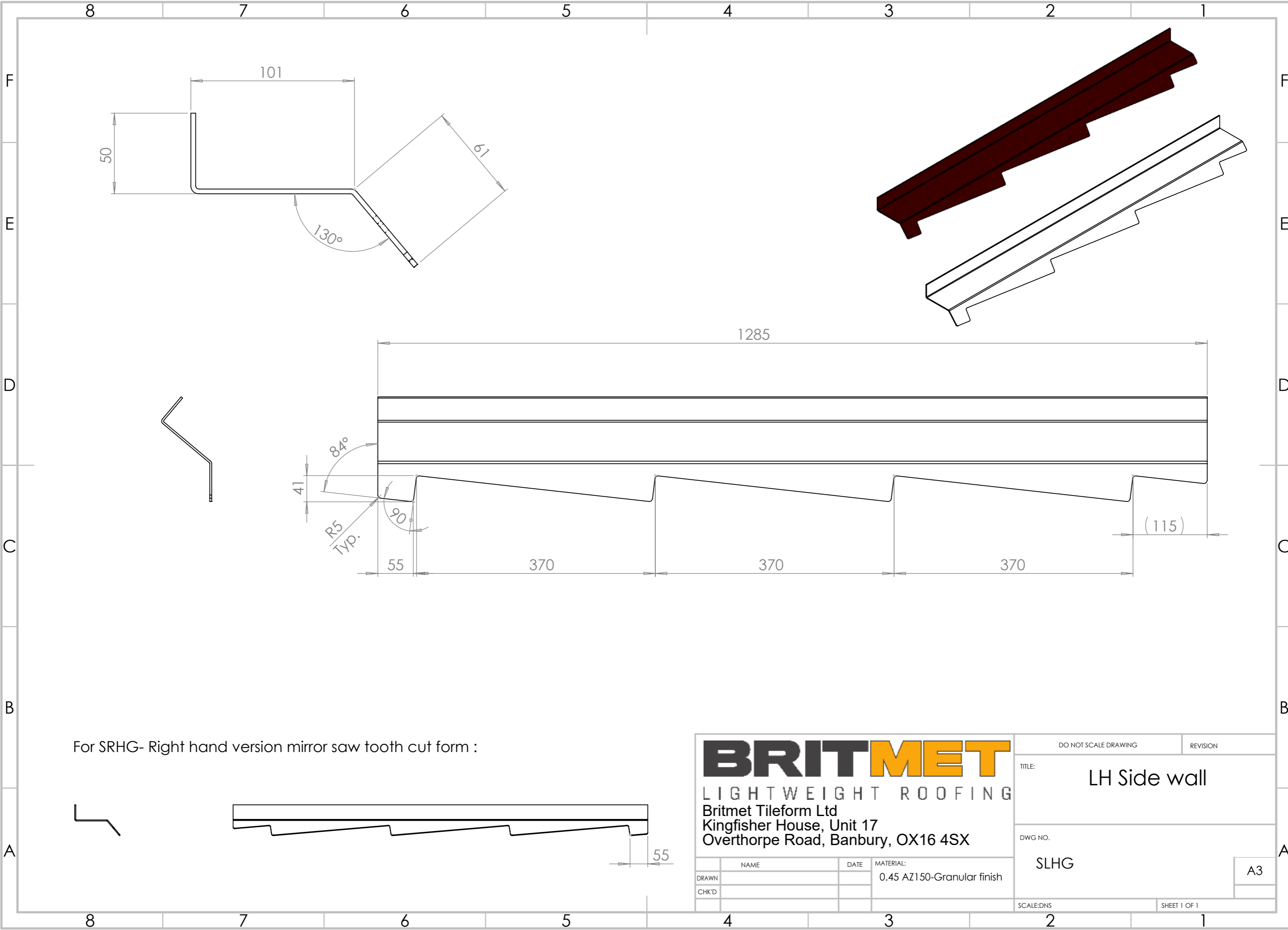
	NAME	DATE	MATERIAL:
DRAWN			0.45 AZ150-Granular/Self colour
CHK'D			

DO NOT SCALE DRAWING REVISION

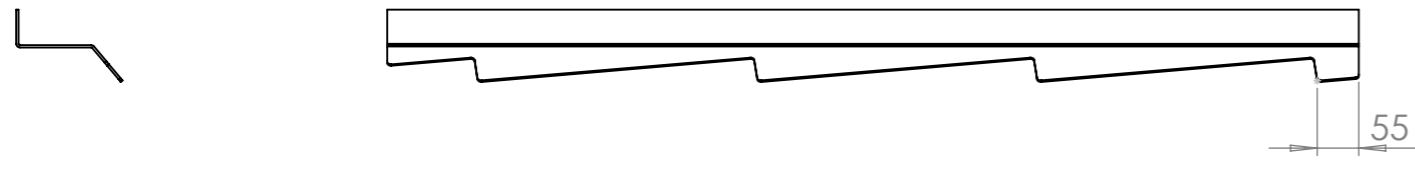
TITLE: Shingle Barge soaker part 2

DWG NO. SHINGLBARGESOAKER-2 A3

SCALE:DNS SHEET 1 OF 1



For SRHG- Right hand version mirror saw tooth cut form :

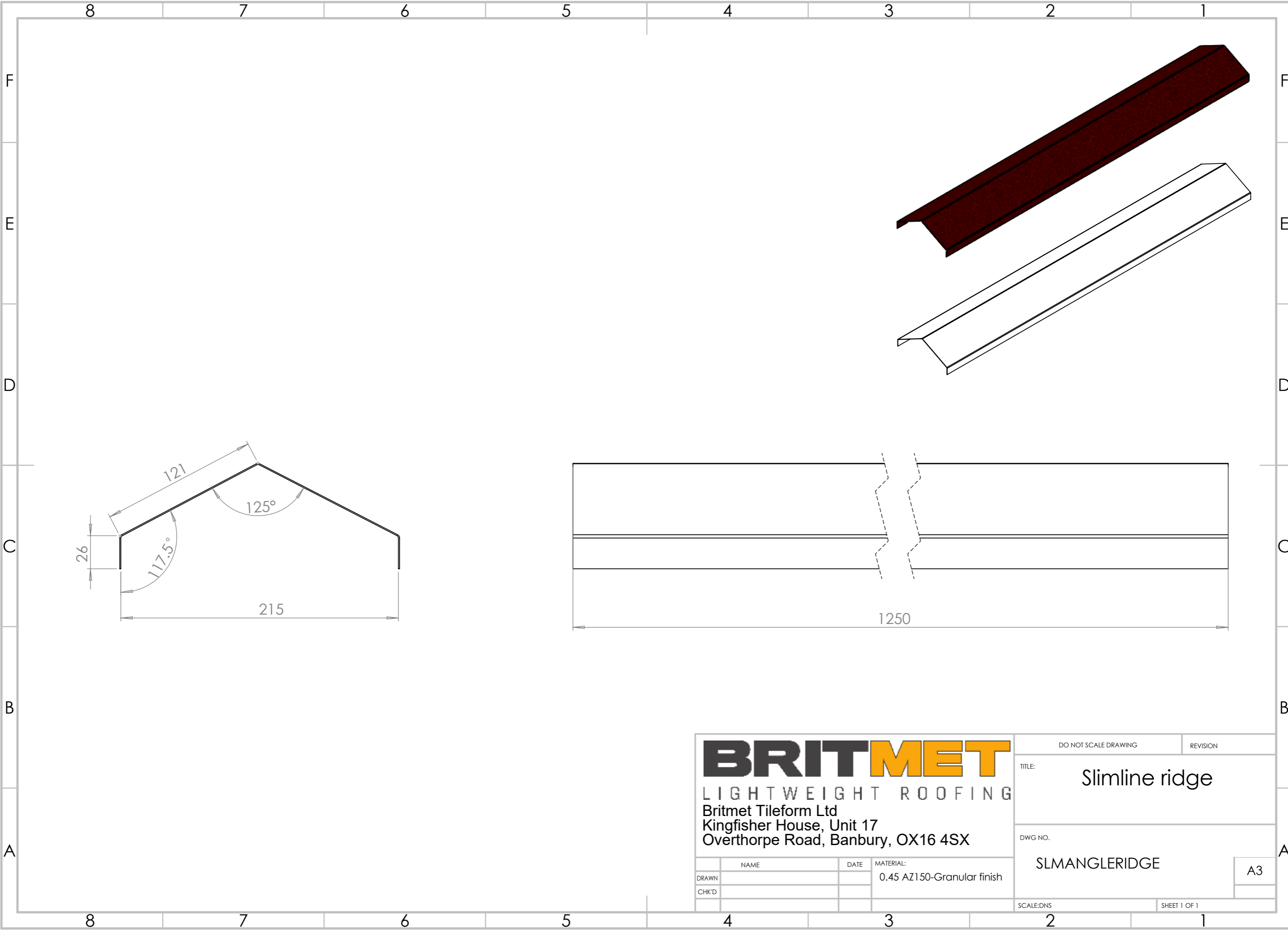


**BRITMET**  
 LIGHTWEIGHT ROOFING  
 Britmet Tileform Ltd  
 Kingfisher House, Unit 17  
 Overthorpe Road, Banbury, OX16 4SX

	NAME	DATE	MATERIAL:
DRAWN			0.45 AZ150-Granular finish
CHK'D			

DO NOT SCALE DRAWING	REVISION
TITLE:	LH Side wall
DWG NO.:	SLHG
SCALE:DNS	SHEET 1 OF 1

A3

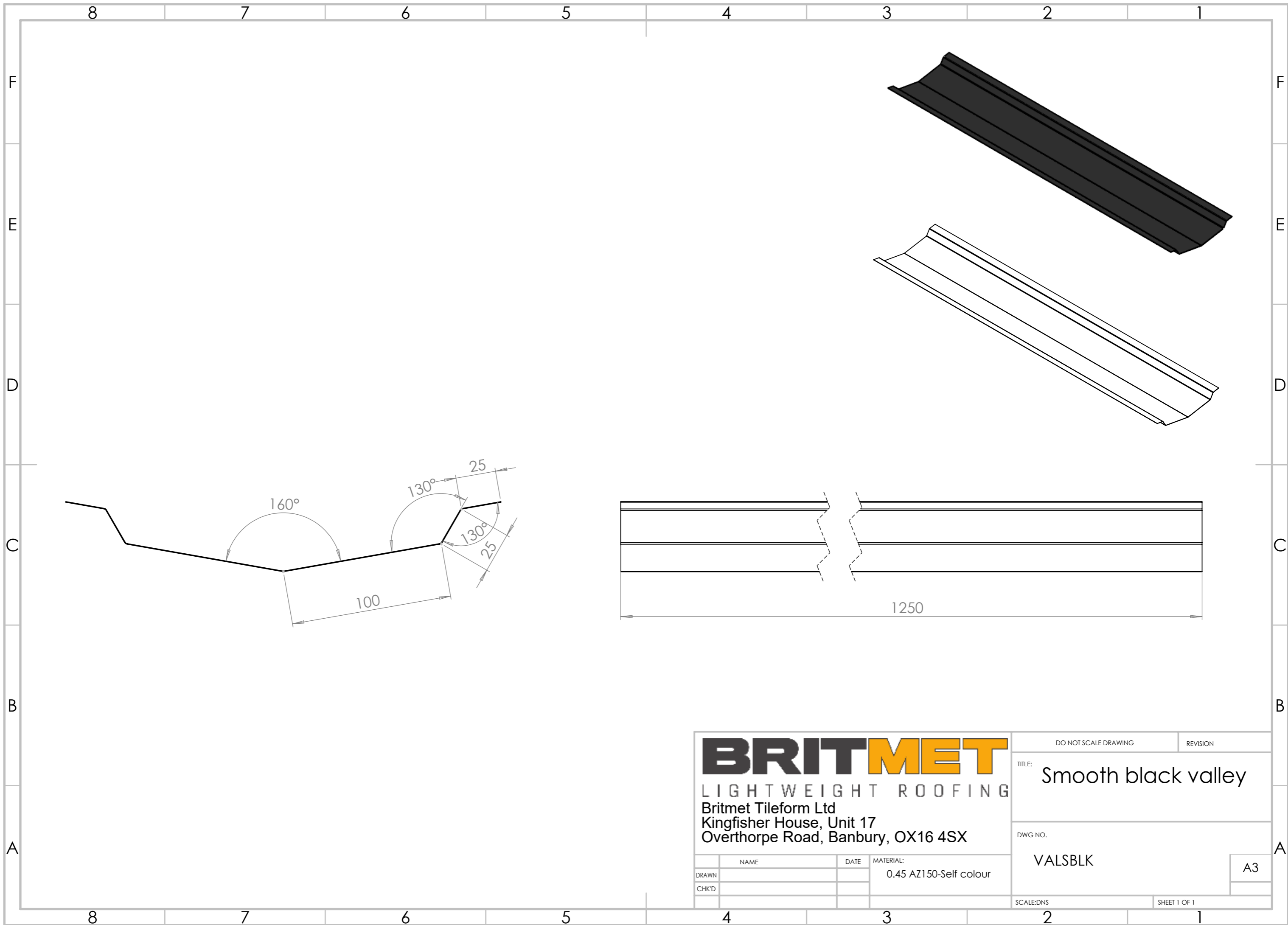


**BRITMET**  
LIGHTWEIGHT ROOFING  
Britmet Tileform Ltd  
Kingfisher House, Unit 17  
Overthorpe Road, Banbury, OX16 4SX

DO NOT SCALE DRAWING		REVISION
TITLE: Slimline ridge		
DWG NO. SLMANGLERIDGE		
SCALE:DNS		SHEET 1 OF 1

	NAME	DATE	MATERIAL:
DRAWN			0.45 AZ150-Granular finish
CHK'D			

A3



**BRITMET**

LIGHTWEIGHT ROOFING

Britmet Tileform Ltd  
Kingfisher House, Unit 17  
Overthorpe Road, Banbury, OX16 4SX

	NAME	DATE	MATERIAL:
DRAWN			0.45 AZ150-Self colour
CHK'D			

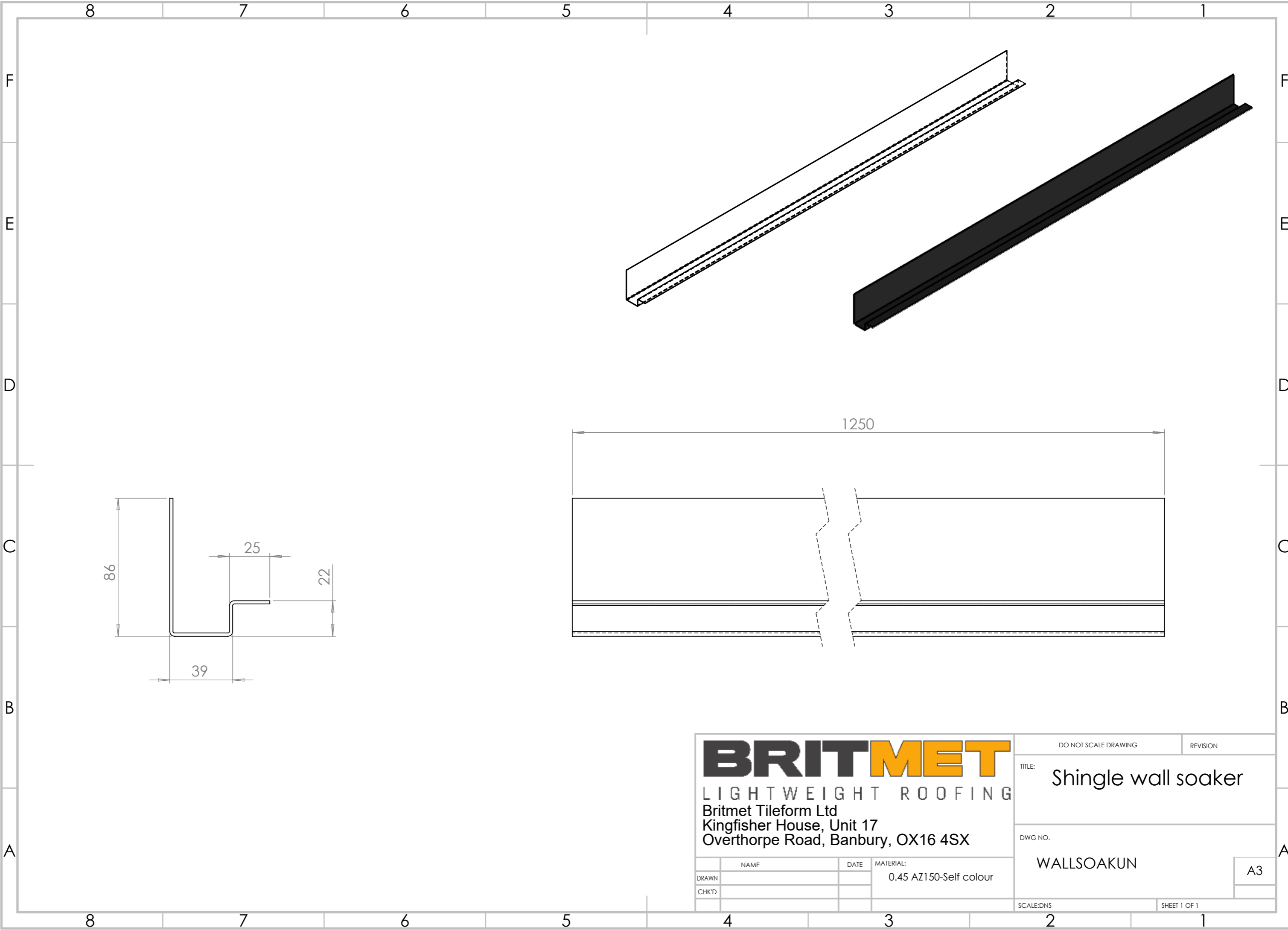
DO NOT SCALE DRAWING REVISION

TITLE: Smooth black valley

DWG NO. VALSBLK

A3

SCALE:DNS SHEET 1 OF 1



**BRITMET**  
 LIGHTWEIGHT ROOFING  
 Britmet Tileform Ltd  
 Kingfisher House, Unit 17  
 Overthorpe Road, Banbury, OX16 4SX

DO NOT SCALE DRAWING		REVISION
TITLE:		Shingle wall soaker
DWG NO.		WALLSOAKUN
SCALE:DNS		SHEET 1 OF 1

	NAME	DATE	MATERIAL:
DRAWN			0.45 AZ150-Self colour
CHK'D			

A3